

VJ EP Retainer

Wind Uplift Exposed Paver Retainer

VJ EP Retainer increases wind uplift resistance for roof pavers on pedestals.

VJ EP Retainer is designed to provide a high wind uplift resistance for elevated roof pavers.

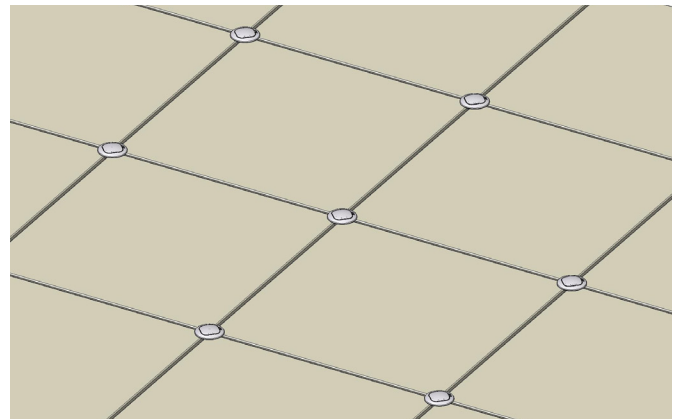
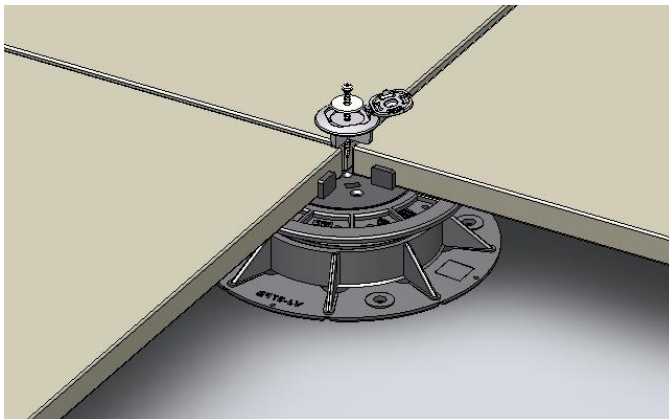
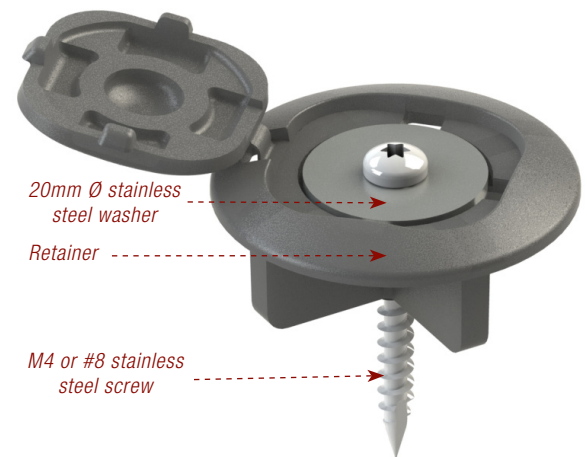
It comprises a Retainer manufactured with a high strength engineering plastic fastened with a M4 or #8 stainless steel screw and a 20 mm diameter stainless steel washer to a proprietary Locking Spacer Tab attached to an Elmich pedestal.

The overall diameter of the Retainer is 40 mm and, upon installation, the height above the surface of the pavers is 5 mm. The Retainer max height complies with Australian Standard AS1428.

Ribs on the underside of the Retainer separate the pavers at 4 mm apart.

The hinged Retainer is designed to close tightly; and requires a small screwdriver or similar flat tool to pry it open.

The Retainer is injection moulded from engineered plastics and can be colour matched or contrasted with the pavers.



VJ EP Retainer application with Elmich Locking Spacer Tab

The VJ EP Retainer system is designed to increase but under no circumstances guarantee absolute wind uplift resistance. The specifier and/or user should take into consideration other variables of site conditions that may determine the effectiveness of the system.

Note: The information provided in this brochure is based on current knowledge and experience and does not infer any legally binding assurance or warranty, expressed or implied. Intending purchasers should verify whether any changes to specifications or applications or otherwise have been made since the issue of this literature. Environmentally-friendly recycled materials are used in product manufacture wherever possible. Physical product properties including colour may differ due to source of raw materials used. Colour may also fade due to UV exposure. All components of the product are designed for specific application, design calculations and any variation and/or deviation therefrom shall be the responsibility of the specifier and/or user.

ELMICH PTE LTD www.elmich.com

Singapore: +65 6356 2800 Australia: +61 2 9648 2073

info@elmich.com

Singapore | Australia | Germany | Malaysia | Switzerland | USA

