

VersiJack Fire-resistant version available

Paver & Deck Support



VersiJack[®] is a new generation pedestal engineered to provide a versatile and sustainable solution to support raised pavers and timber decking. It provides a cavity to conceal services, improves heat and sound insulation, and facilitates rapid surface drainage whilst allowing waterproofing and services to remain accessible.

VersiJack[®] is a height and slope adjustable pedestal for paver and decking support engineered to reduce material, construction and lifecycle costs.

It caters to a wide range of height requirements, from **37 mm - 1016 mm**, using only three main components parts (Top, Extender and Base).

Accessories include top and bottom slope-correctors, spacer tabs, height extenders and bearer holders.

High Compressive Strength

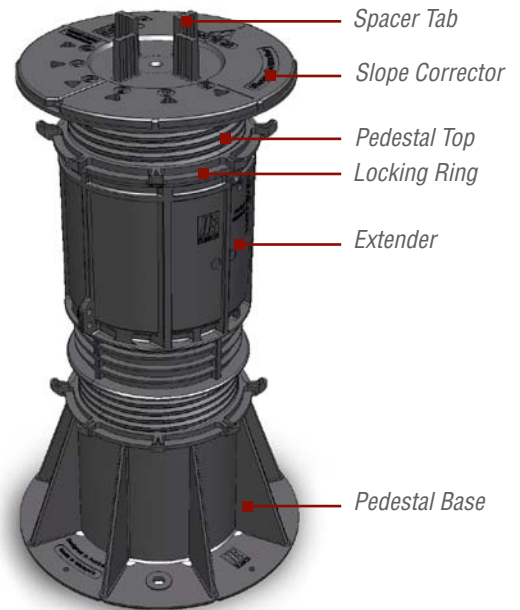
VersiJack[®] has high ultimate compressive strength for various height combinations.

Supports Green Building Certification

VersiJack[®] is manufactured from recycled plastics which meet European Union RoHS requirements.

Advantages

- Easy to install and lightweight
- Progressive height increments
- Top and/or bottom slope correction
- Supports Green Building certification
- Made from recycled plastics
- Easily removed and reused



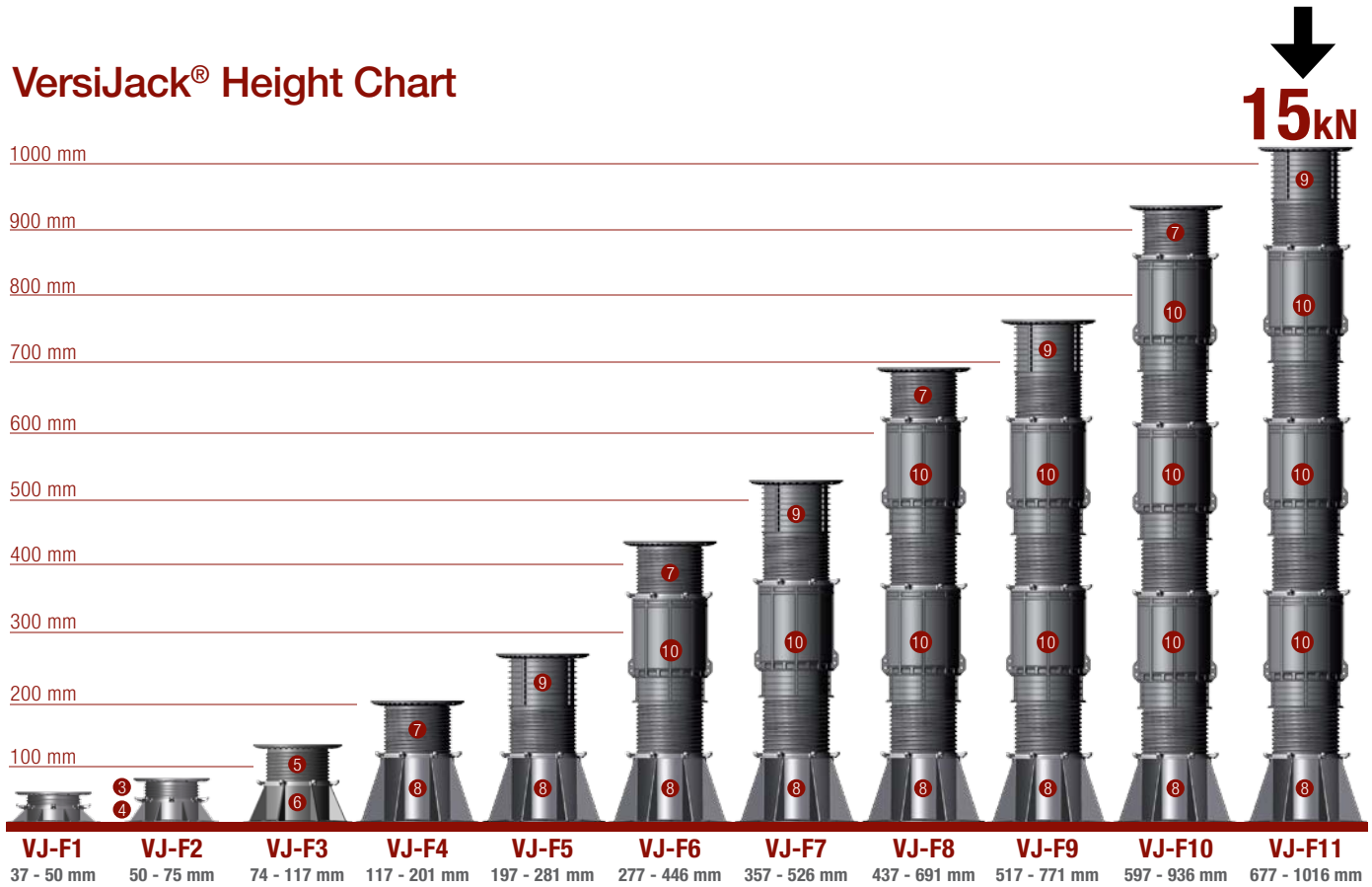
Technical Specifications

Material	Modified Reinforced Thermoplastic
Height Range	37 mm to 1016 mm
Ultimate Compressive Strength ¹	15 kN
Design Compressive Strength ¹	11 kN
Slope correction	0% to 5% @ 1% increment
Base Diameter	189 mm (VJ-37FB, VJ-50FB, VJ-74FB) 202 mm (VJ-117FB) 226 mm (VJ-117B with bottom slope corrector)
Spacer Tab Height	15 / 25 mm
Spacer Tab Thickness	2 / 3 / 4 / 5 / 6 / 10 mm (gap between pavers)
Bearer Holder	35 mm to 80 mm (bearer width)
Biological / Chemical	Unaffected by moulds and algae
Resistance	Good resistance to alkali and bitumen

¹ varies with different height



VersiJack® Height Chart



VJ-F1 37 - 50 mm **VJ-F2** 50 - 75 mm **VJ-F3** 74 - 117 mm **VJ-F4** 117 - 201 mm **VJ-F5** 197 - 281 mm **VJ-F6** 277 - 446 mm **VJ-F7** 357 - 526 mm **VJ-F8** 437 - 691 mm **VJ-F9** 517 - 771 mm **VJ-F10** 597 - 936 mm **VJ-F11** 677 - 1016 mm

With Bottom Slope Corrector*

VJ-S0 125 - 209 mm **VJ-S1** 205 - 289 mm **VJ-S2** 285 - 454 mm **VJ-S3** 365 - 534 mm **VJ-S4** 445 - 699 mm **VJ-S5** 525 - 779 mm **VJ-S6** 605 - 944 mm **VJ-S7** 685 - 1024 mm

VersiJack® is part of our Paver & Bearer Support range of adjustable Elmich pedestals (4 mm - 1024 mm)

- ① VJ-13T ⑤ VJ-43T ⑨ VJ-164T
- ② VJ-37FB ⑥ VJ-74FB ⑩ VJ-245E
- ③ VJ-25T ⑦ VJ-84T
- ④ VJ-50FB ⑧ VJ-117FB

* Note: Requires VJ-117B instead of VJ-117FB

VersiJack® Fire-Resistant (VJ FR)

VJ FR is a fire-resistant pedestal system, and is the result of extensive research and development by Elmich to meet fire safety regulations for use of plastics in building construction. The SCDF* fire safety requirements stipulate that only certified plastics can be used for building interiors.

VJ FR is made from a special blend of fire-resistant materials that will not burn, release toxic emissions or smoke when a fire is present. In a series of rigorous fire tests by an independent laboratory, VJ FR met the stringent fire safety requirements.

*Singapore Civil Defence Force (SCDF)

Category	Fire Risk	Test Standards	Acceptance Criteria	Test Result
A	Toxicity emission	BS EN 45545-2	CIT < 0.75	Passed
B	Smoke density	BS EN 13501-1	Smoke production: s1	Passed
C	Fire spread	BS EN 13501-1	Fire spread: Class B _{fl}	Passed

Singapore Civil Defence Force Fire Safety Requirements for plastic floor material/finishes

Note: The information provided in this brochure is based on current knowledge and experience and does not infer any legally binding assurance or warranty, expressed or implied. Intending purchasers should verify whether any changes to specifications or applications or otherwise have been made since the issue of this literature. Environmentally-friendly recycled materials are used in product manufacture wherever possible. Physical product properties including colour may differ due to source of raw materials used. Colour may also fade due to UV exposure. All components of the product are designed for specific application, design calculations and any variation and/or deviation therefrom shall be the responsibility of the specifier and/or user.

ELMICH **ELMICH PTE LTD** www.elmich.com
 Singapore: (+65) 6356 2800
 info@elmich.com
 Singapore | Australia | Austria | Germany | Malaysia | Switzerland | USA



Management System
 ISO 9001:2015
 ISO 14001:2015
 ISO 22301:2012
 www.tuv.com
 ID 9105067487

