

VersiJack Variable Spacer Tab

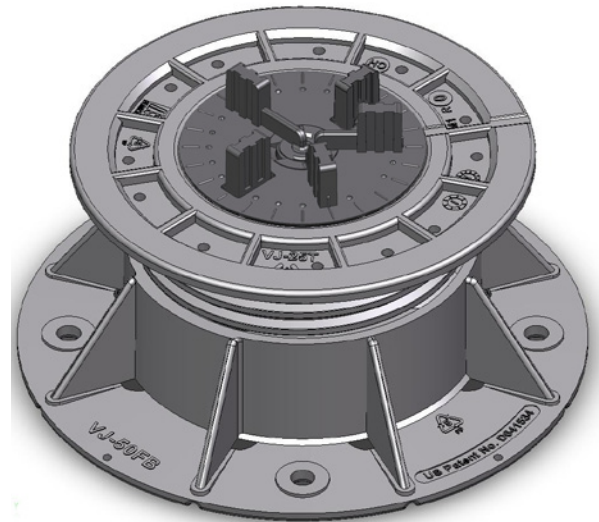


The VersiJack Variable Spacer Tab allows for uniform separation of different-shaped pavers to create one-of-a-kind plazas and decks. Its customised features include rotatable and detachable posts according to the preferred design. This accessory complements Elmich pedestals to provide versatile and cost-effective installation.

The standard pedestal top Spacer Tab caters for most paver arrangements where the joints between the pavers are at 90° or 180°, using either square or rectangular pavers.

Variable Spacer Tab suits the modern range of different shaped rectilinear pavers and also in combinations such as hexagons with triangles, octagons with squares, hexagons with triangles and squares, etc.

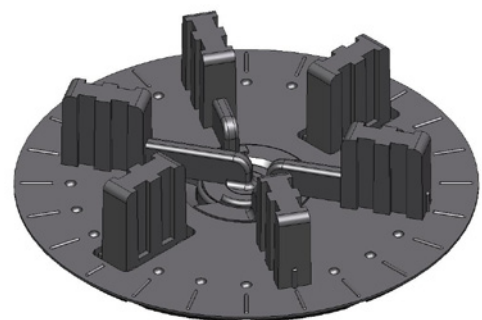
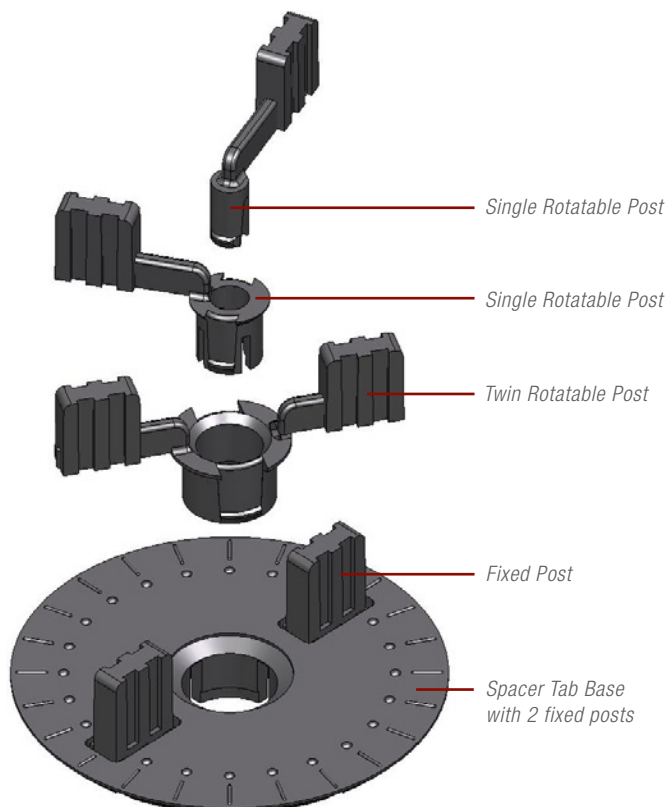
The large range of angle combinations is achieved by starting with a Spacer Tab Base with 2 fixed posts, then adding single and twin posts that can all be rotated to different positions to suit the shape of the paver and pattern of the paving. Indents around the Base at 15° intervals assist with the initial arrangement of the posts. The posts can also be set at angles that do not correspond to these 15° increments.



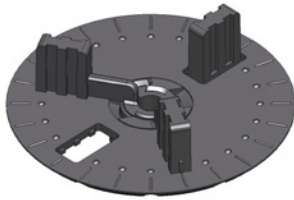
Variable Spacer Tab on Elmich Pedestal

One or more of the fixed posts on the base, and one of the twin posts can be snapped off to allow for more combinations of paver angles.

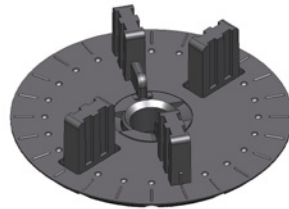
The posts of the Variable Spacer Tab are 4 mm thick and 15 mm high.



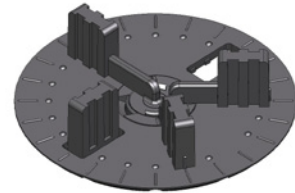
Spacer Tab with 6 posts



Spacer Tab with 3 posts
(1 fixed and 2 rotatable posts)

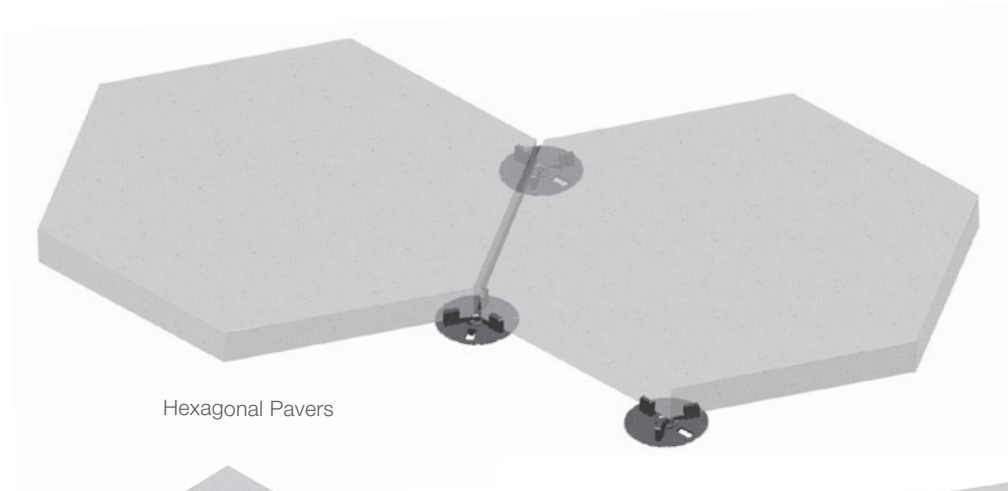


Spacer Tab with 4 posts
(2 fixed and 2 rotatable posts)

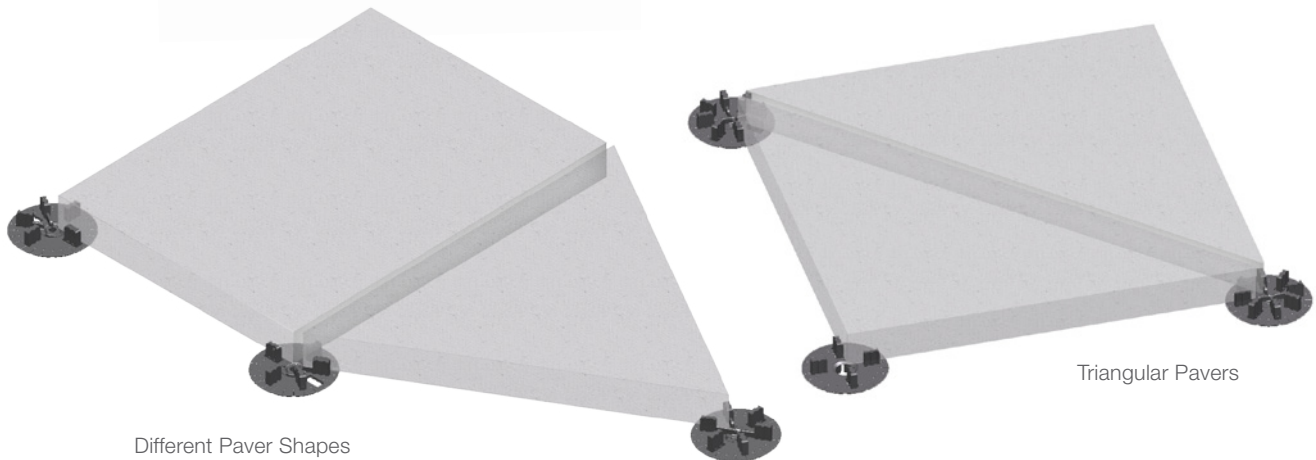


Spacer Tab with 4 posts
(1 fixed and 3 rotatable posts)

Installation Examples



Hexagonal Pavers



Different Paver Shapes

Triangular Pavers



The Elmich security hologram ensures authenticity of the products.

Distributed by:

Note: The information provided in this brochure is based on current knowledge and experience and does not infer any legally binding assurance or warranty, expressed or implied. Intending purchasers should verify whether any changes to specifications or applications or otherwise have been made since the issue of this literature. Environmentally-friendly recycled materials are used in product manufacture wherever possible. Physical product properties including colour may differ due to source of raw materials used. Colour may also fade due to UV exposure. All components of the product are designed for specific application, design calculations and any variation and/or deviation therefrom shall be the responsibility of the specifier and/or user.



ELMICH PTE LTD www.elmich.com

Singapore: (+65) 6356 2800

info@elmich.com

Singapore | Australia | Germany | Malaysia | Switzerland | USA



Management System
ISO 9001:2015
ISO 14001:2015
ISO 22301:2012
www.tuv.com
ID 9105067487

