



VGP® Mesh Bracket

VGP® Mesh Bracket is a robust stainless steel bracket to anchor welded mesh onto vertical surfaces for installing VersiWall® GP (VGP) green wall.

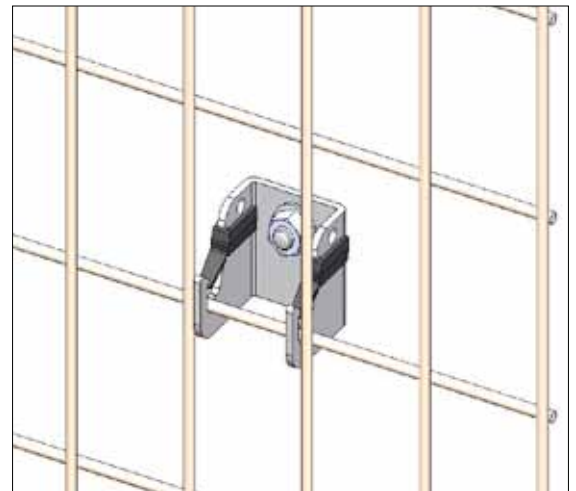
About VGP® Mesh Bracket

VGP® Mesh Bracket can be adjusted horizontally and vertically for easy alignment of individual welded mesh panels and to avoid obstacles like re-bars embedded in the wall. This enables the quick positioning and installation of the mesh panels on the wall.

VGP® Mesh Bracket is engineered to facilitate use of fewer anchor points compared to conventional fastening systems using bolts of similar size with sleeves. The position of the bracket on the welded mesh does not interfere with installation of the VGP trays.

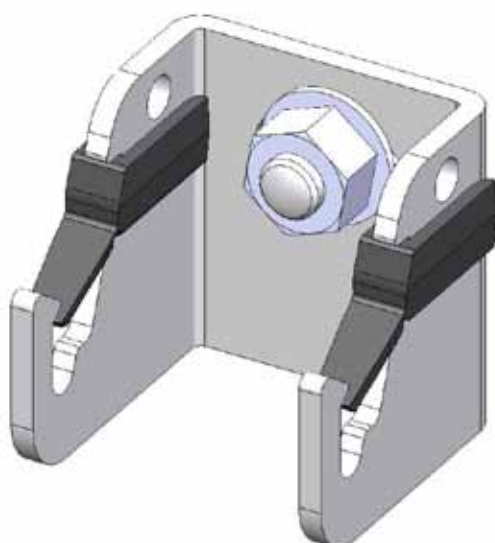
VGP® Mesh Bracket provides a constant 30mm gap between the mesh and wall for ventilation and allows services like irrigation lines to be conveniently secured at the back of the mesh away from view.

VGP® Mesh Bracket has integrated flexible Anti-Lift Arms on each of its side wings to prevent the mesh from inadvertent dislodgement.



Advantages

- 3mm Grade 304/316 stainless steel.
- Creates 30mm gap between welded mesh and wall.
- Integrated Anti-lift Arm prevents dislodgement.
- Easy minor horizontal and vertical adjustments.
- Less wall fastening points required.
- Allows attachment of accessories.
- Simple and easy installation.



Distributed by:

Note: The information provided in this brochure is based on current knowledge and experience and does not infer any legally binding assurance or warranty, expressed or implied. Intending purchasers should verify whether any changes to specifications or applications or otherwise have been made since the issue of this literature. Environmentally-friendly recycled materials are used in product manufacture wherever possible. Physical product properties including colour may differ due to source of raw materials used. Colour may also fade due to UV exposure. All components of the product are designed for specific application, design calculations and any variation and/or deviation therefrom shall be the responsibility of the specifier and/or user.



ELMICH PTE LTD www.elmich.com

Singapore: (+65) 6356 2800

info@elmich.com

Singapore | Seattle | Sydney | Zurich | Guangzhou | Shanghai



© Elmich Pte Ltd VGPMB/001-V1-1214SG