

# Elmich Wall Spacer



The Elmich Wall Spacer is designed for use on pedestals to provide a permanent compressible buffer at the edge of installations where pavers abut against the wall or upstand to prevent damage to the waterproofing membrane and facilitate drainage.

## Elmich Wall Spacer

It is used on pedestals supporting concrete, stone, tile and timber pavers. Its function is to space the pavers away from the wall or upstand to allow for expansion and contraction as well as paver movement due to traffic.

The Elmich Wall Spacer has a compressible buffer which does not protrude above the finished paved surface when used with pavers over 12mm thick.

Twin paver tabs on the Elmich Wall Spacer maintain a constant gap between pavers and keep them centred on the pedestal.

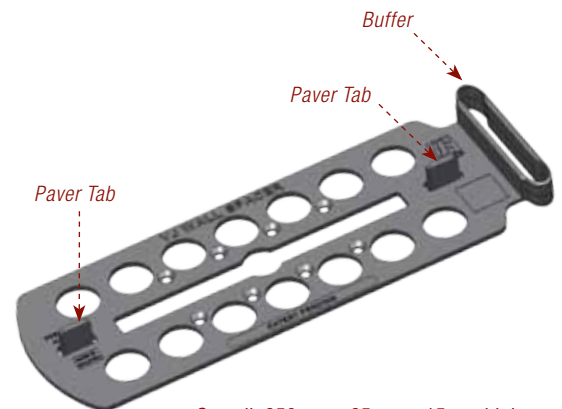
The paver tabs are removable when used in corners.

Elmich Wall Spacers are quick to install by placing them over the pedestals when positioning the pavers. They do not dislodge due to expansion or contraction, unlike clip-on spacers.

Made from recycled polypropylene and coloured black, they complement VersiJack® and SpiraPave® pedestals to provide the perfect solution for raised paver installation.

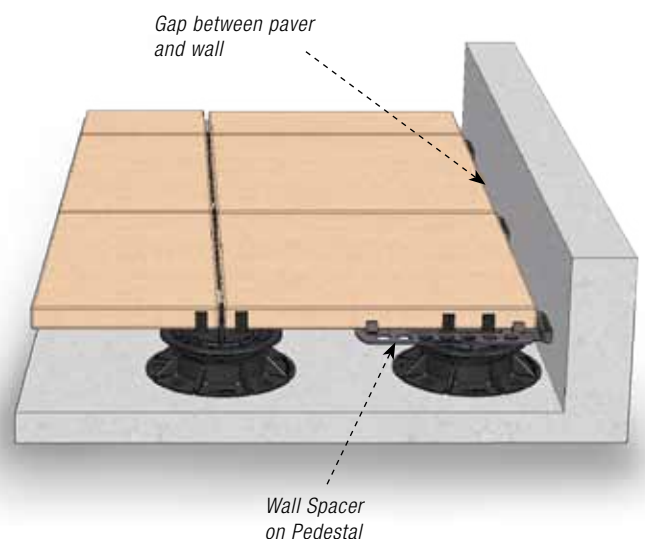
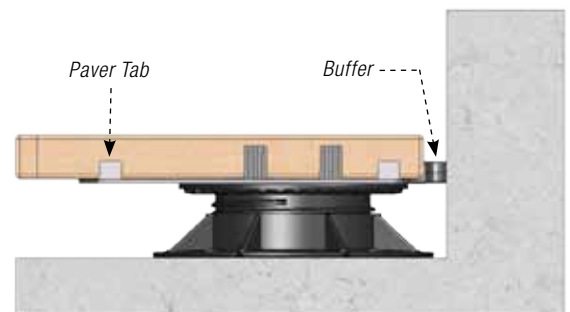
## Advantages

- Fits VersiJack® & SpiraPave® as well as other pedestals.
- Suitable for all types of pavers.
- Maintains gaps at the perimeter and between pavers.
- Buffer will not dislodge due to shrinkage.
- Buffer is flexible with rounded edges to prevent damage to the waterproofing membrane.
- Buffer is not visible above paver surface.
- Cost-effective and simple installation.
- Environmentally-friendly.



Overall: 250mm x 85mm x 15mm high  
Buffer: 78mm x 15mm\* x 15mm high  
Paver Tab: 15mm x 2mm\*\* x 12mm high

\* uncompressed  
\*\* other widths available on request





A security hologram has been applied on all our products to ensure that the end-user receives the best quality and original Elmich product.

### Distributed by:

**Note:** The information provided in this brochure is based on current knowledge and experience and does not infer any legally binding assurance or warranty, expressed or implied. Intending purchasers should verify whether any changes to specifications or applications or otherwise have been made since the issue of this literature. Environmentally-friendly recycled materials are used in product manufacture wherever possible. Physical product properties including colour may differ due to source of raw materials used. Colour may also fade due to UV exposure. All components of the product are designed for specific application, design calculations and any variation and/or deviation therefrom shall be the responsibility of the specifier and/or user.



**ELMICH PTE LTD** [www.elmich.com](http://www.elmich.com)

Singapore: (+65) 6356 2800

info@elmich.com

Singapore | Australia | Germany | Switzerland | United States

